

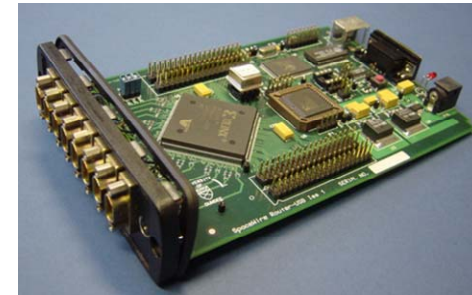
SpaceWire Router Status

Contract : 15803/01/NL/JA

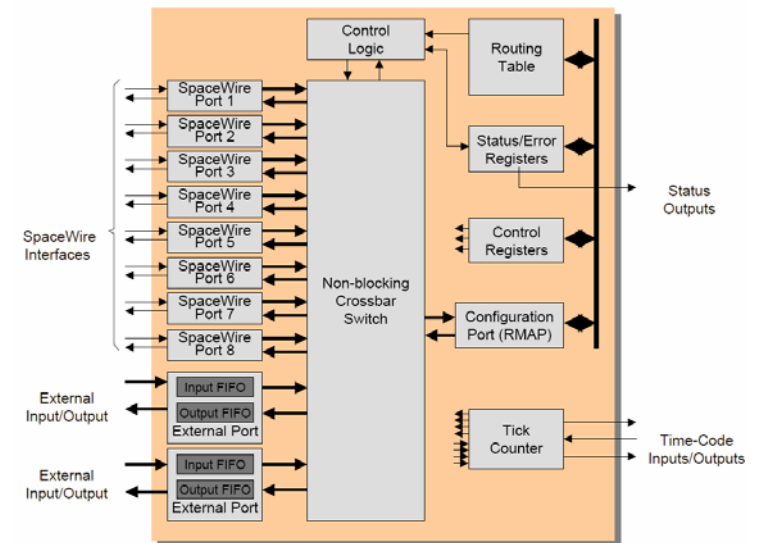
SpW Router SpW-10X (SPROUT)

Device

- Non-blocking routing switch for SpW packets, time code distribution
- RMAP support
- 8 SpW, 2 parallel, 1 configuration ports
- Radiation tolerant gate array technology from Atmel: MH1RT (0,35 μm)
- 196 pins, MQFP
- Power consumption: < 2W TBC
- 3.3V, 200MBit/s



SpaceWire Hub with router FPGA



Status

- FPGA router is validated
- ASIC Prototypes delivery planned in January 2007
- ASIC Prototype validation finished in April 2007